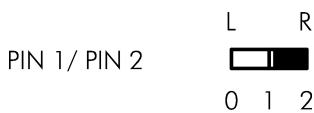
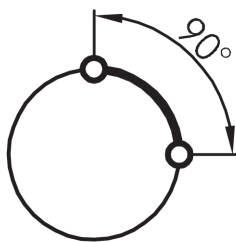
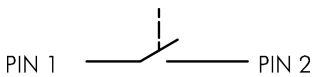
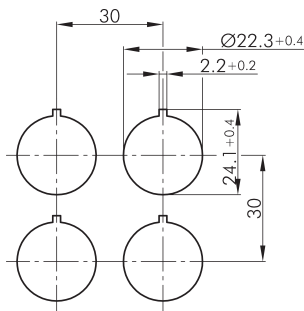
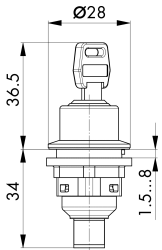




**Key-operated switch, maintained, with 4-pole M12 connector
SSSA15I_C007**

Description: with integrated 4-pole M12 connector, A coded including two keys other lock types on request



Category:	Key switches (momentary/maintained)
Series:	SHORTRON® connect
Panel cut-out:	Ø 22.3 mm
Mounting depth:	33.7 mm
Protection class:	II (protective insulation)
Degree of protection:	IP65 (in the front); IP65 / IP67 (on the rear with plugged-in M12 connector)
Switching function:	maintained action
Travel:	2.3 mm (pushbutton)
Illumination:	no
With labelling option:	no
Contact equipment:	1 NO
Connection type:	4-pole M12 connector (integrated), A coded
Front bezel:	silver-coloured
Electrical life:	30,000 switching cycles at rated load
Storage temperature:	-40°C ... 80°C
Positive opening:	no
Operating temperature:	-25°C ... 70°C
Mechanical life:	30,000 switching cycles
Shape:	round
Contact material:	AgNi

Legend

I= Switching position >=
Spring return O= Key
removable position